

Carlson

Pet Products

FLEXI GATE WITH SMALL PET DOOR

MODEL NO: 1510 PW/1510HPW

Owner's Manual



**READ ALL INSTRUCTIONS BEFORE ASSEMBLY AND
USE OF GATE. KEEP INSTRUCTIONS FOR FUTURE USE.**

**Carlson Pet Products, Inc
16228 Main Ave, Suite 109
Prior Lake, MN 55372
Phone: 952-440-1801**

Flexi Gate with small pet door from

Carlson
Pet Products

Important: Keep these instructions for future reference

ADDITIONAL EXTENSIONS SOLD SEPARATELY !

 **WARNING :**

Intended for young children aged six months through 24 months. Check the gate regularly to see if all the hardware and mountings are tighten.

To prevent serious injury or death, securely install gate or enclosure and use according to manufacturer's instructions.

Never use with a child able to climb over or dislodge the gate or enclosure.

Never leave child unattended.

Use only with the locking/latching mechanism securely engaged.

When the gate is being used with children the small pet door MUST remain securely closed.

To prevent falls, NEVER use at the top of stairs.

The only width opening for the gate is to be used in open 78 inches.

Contact Carlson for questions and replacement parts. If in doubt about the use of your gate, call our customer care line 952-440-1801.

Carlson Pet Products, Inc. 16228 Main Ave, Suite 109, Prior Lake, MN 55372. Made in China

Assembly and Installation Instructions

Please read these instructions carefully before installing your gate.

Important: Important: The two sets of Wall Mounting assemblies include: 2 Hinged Locking Flanges, and 2 Wall Mounting Plates. These components must be used in securing your gate to the wall openings. If not, the gate can become dislodged from the opening and unstable.

Check to make sure you have the following components before you begin to set up your gate.

(1) Folded Gate Frame, and Wall Mounting Assembly

(2). Mounting Screws x 6 pcs.



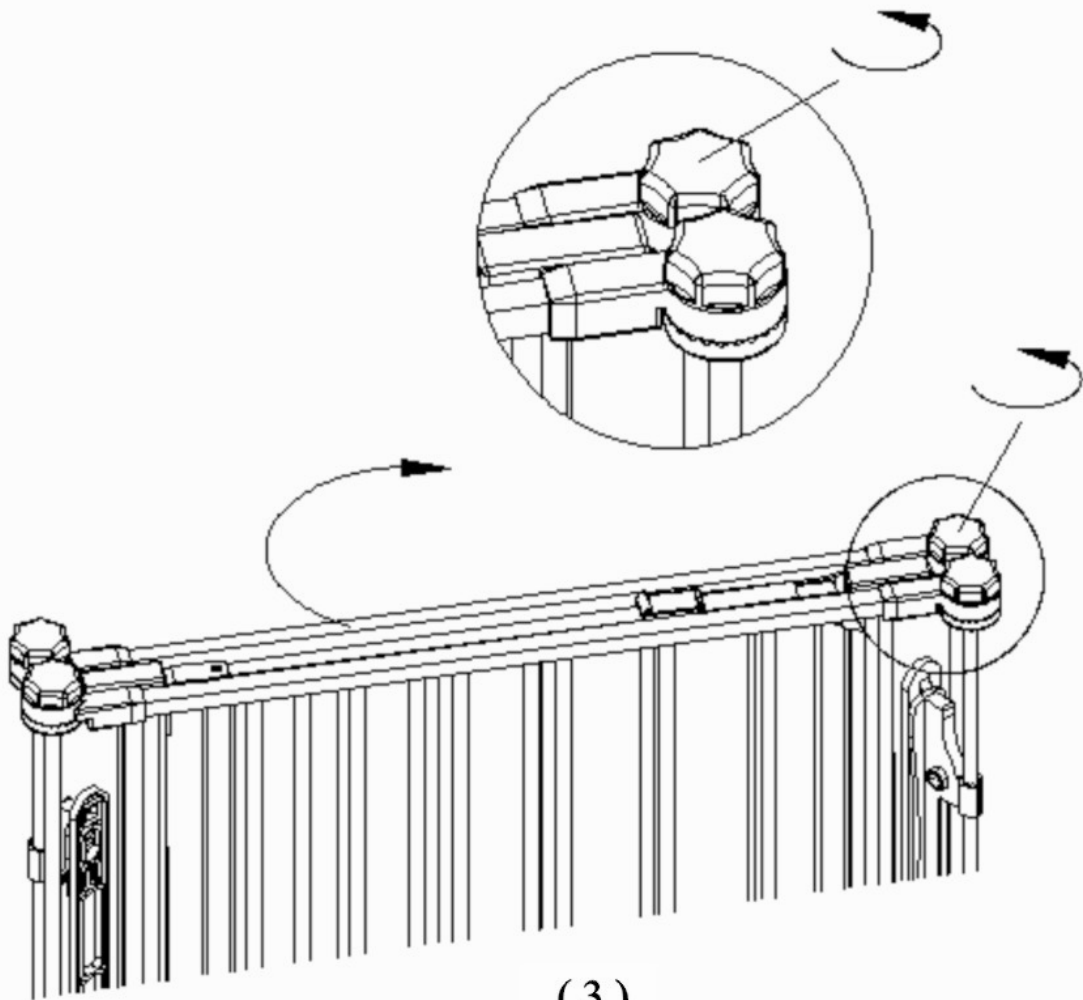
(1) 1 pc



(2) 6 pcs

Step 1. Preparing to Install your Gate

Begin by unfolding the gate frame. To do this simply loosen the Locking Knobs at each pivoting joint by turning the knob counter clockwise as shown in Diagram 3. Loosen the knobs enough to allow the gate to swing open freely.

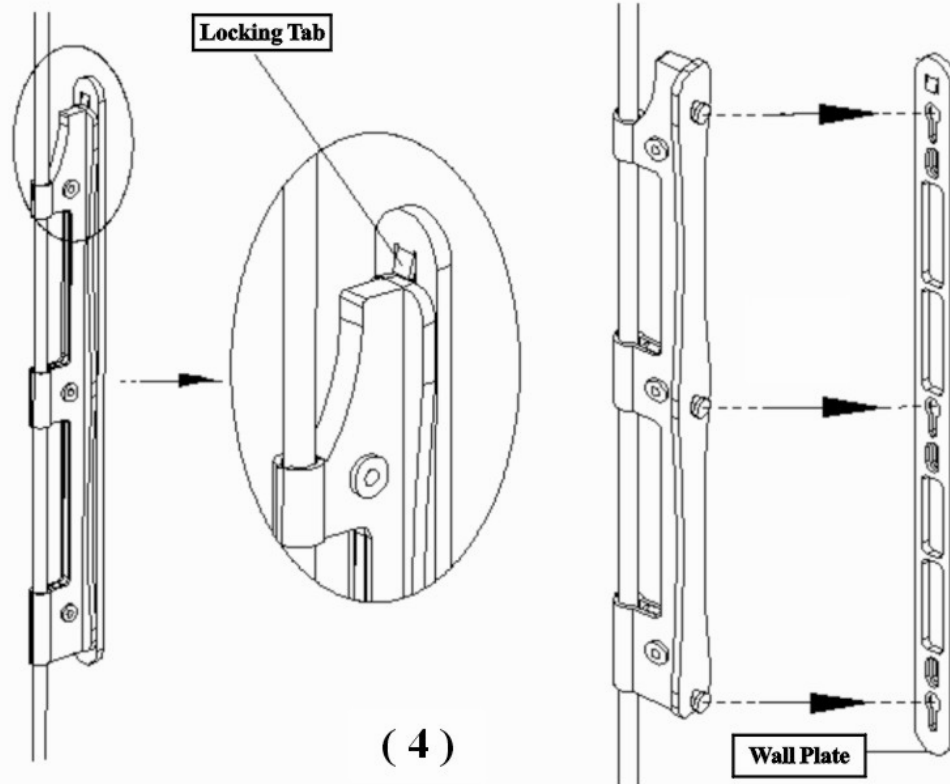


Step 2.

Once you have unfolding your gate frame leave the Locking Knobs loose and generally position the gate in the opening that you are blocking off. You will now need to pivot the Wall Mounting Assembly so that the flat side is against your wall on both sides. You can now move you gate away so you can attach the Wall Plate to the wall.

Step 3. Mounting your Wall Mount to your wall.

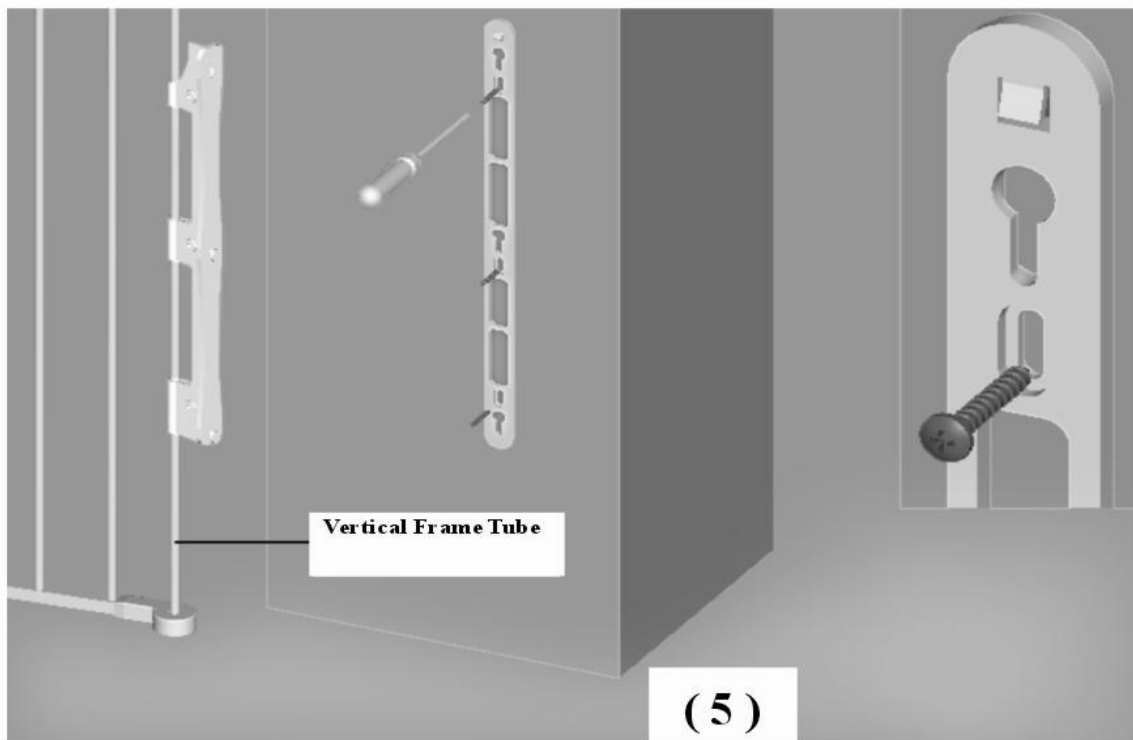
Begin by removing the Wall Mounting Plate from the Hinged Locking Flanges as shown in Diagram 4. To do this Push in on the Locking Tab and lift up on the Hinged Locking Flange. Once the Wall Plate is free go to Step 4.



Step 4

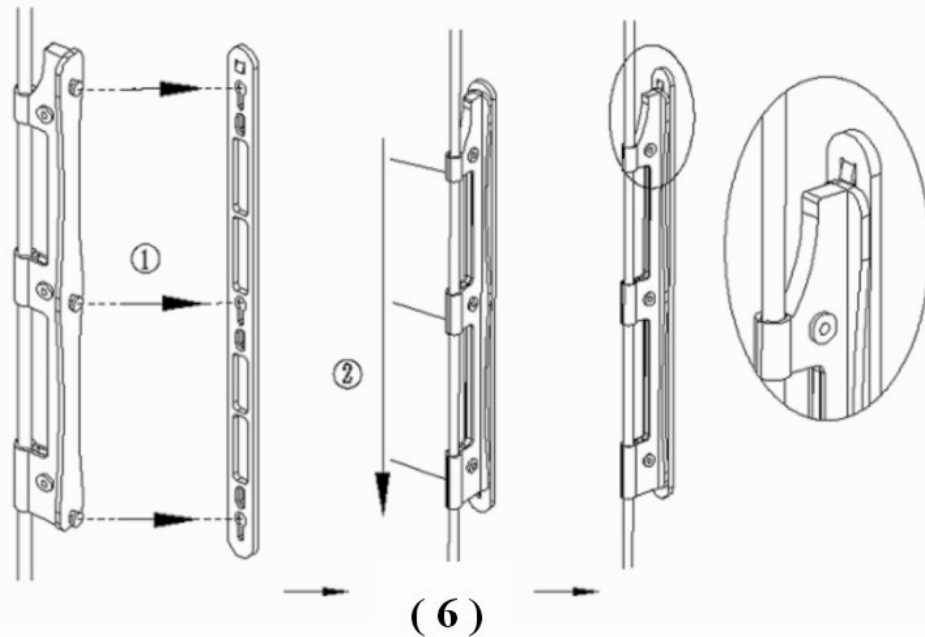
Place the Wall Mounting Plate on your Wall so that when it is re-joined to the Hinged Locking Flange the assembly is positioned in the middle of the vertical frame tube as shown in Diagram 5. Next, take 3 of the Mounting Screws and screw them through the slot in the Wall Mounting Plate and into your wall.

IMPORTANT: Make sure that you are fastening the Mounting Screws into a stud behind your wall. If the screws are only fasten to dry wall they may pull out of the wall very easily. If no studs are in the area of where you are attaching you gate please use anchors



Step 5.

After you have securely fastened the Wall Mounting Plates on each side you are now ready to re-join the Hinged Locking Flanges to the Wall Mounting Plates. To do this simply align the 3 Male protrusions on Hinged Locking Flanges with the 3 holes in the Wall Mounting Plates as shown in Diagram 6.1. Insert all 3 male protrusions into the round opening in the Wall Mounting Plates. Once fully inserted gently push down on the Hinged Locking Flanges as shown in Diagram 6.2. This action will lock the 2 components together and secure your gate to the wall



Step 6.

Once your gate is securely mounted to the wall, you can now tighten the Locking Knobs by turning them clockwise. This will fix your gate in the configuration that you have positioned it. Removing your gate from the wall.

To remove your gate from the wall begin by loosening the Locking Knobs so the gate can pivot freely. Next, push in on the Locking Tabs located on the top of the Wall Mounting Plate, and pull up on the Locking Hinge Flange. This will free your gate from the wall.

CARE AND MAINTENANCE

Periodically check the gate for sign of damage, wear or for missing components. Do not use if any part is missing, worn or damaged.

Check the gate regularly to make sure all the hardware and mountings are tighten. Do not use abrasive cleaners or bleach. Clean it by sponging with warm water and mild detergent.